

010 4140 Concealed set 1/2"

for thermostatic shower mixer, with 2 way diverter, temperature and volume control, with water-tight concealed box, with waterproof kerdi membrane, with noise absorbing mat, intrinsically safe against backflow, chrome

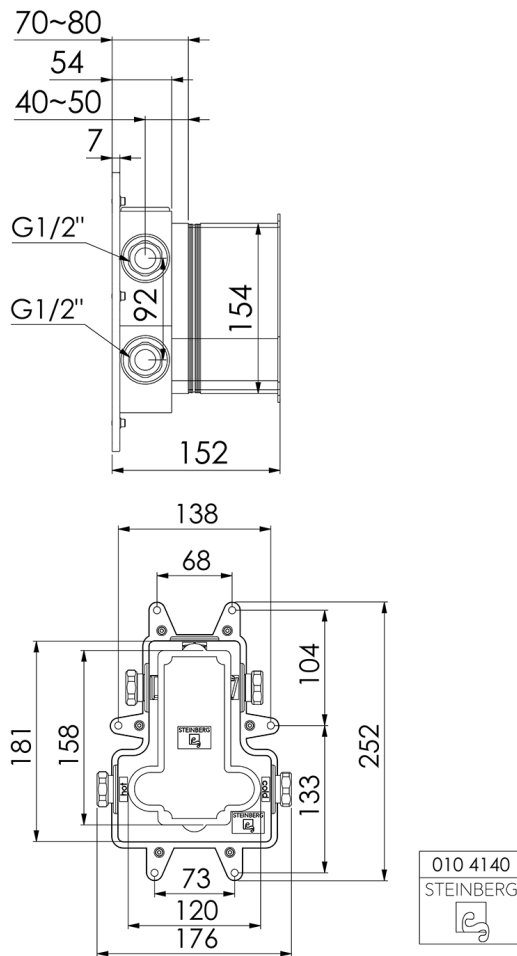
PRODUCT IMAGE



010 4140 Concealed set 1/2"

for thermostatic shower mixer, with 2 way diverter, temperature and volume control, with water-tight concealed box, with waterproof kerdi membrane, with noise absorbing mat, intrinsically safe against backflow, chrome

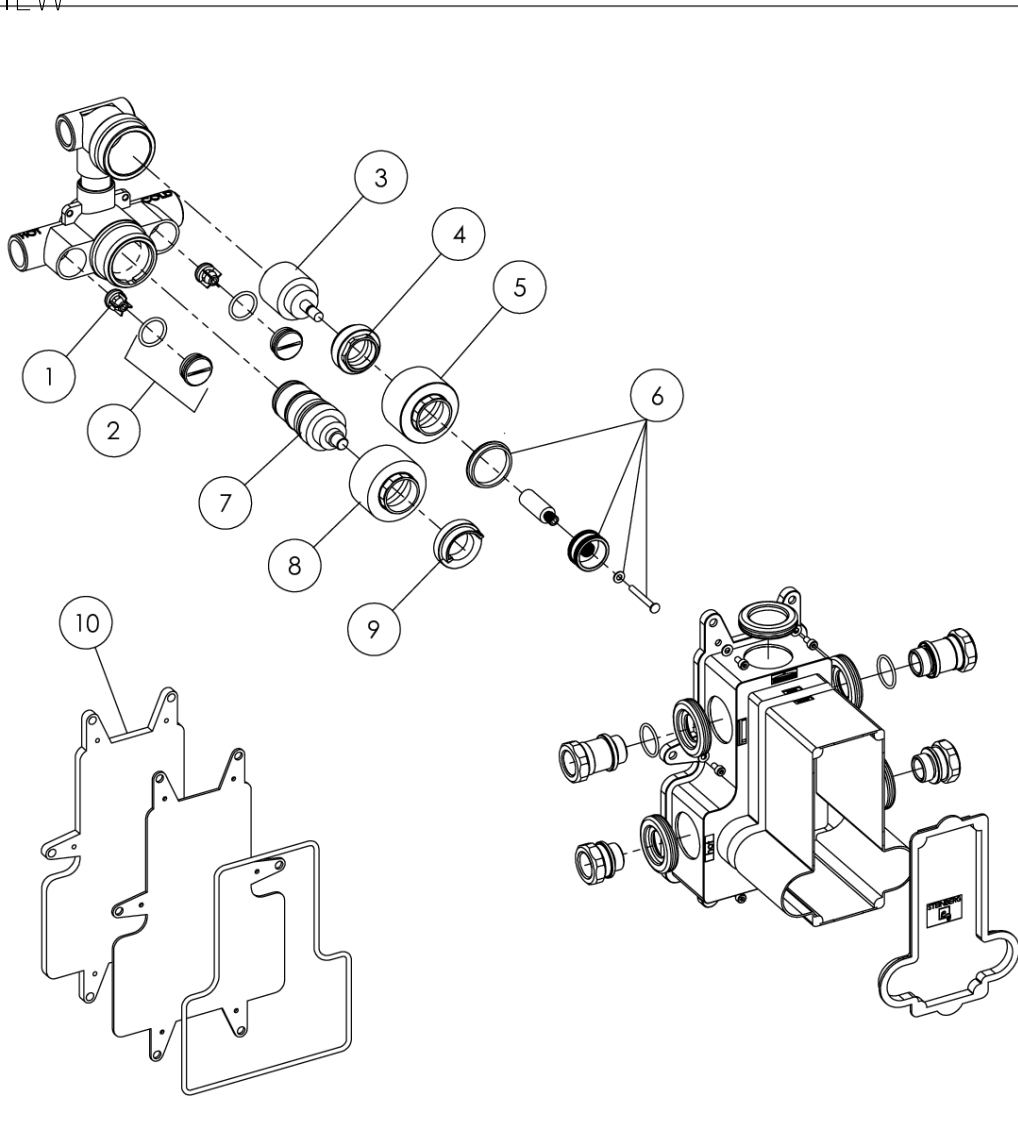
TECHNICAL DRAWING



010 4140 Concealed set 1/2"

for thermostatic shower mixer, with 2 way diverter, temperature and volume control, with water-tight concealed box, with waterproof kerdi membrane, with noise absorbing mat, intrinsically safe against backflow, chrome

EXPLODED VIEW



PartNo	DE	EN	
1	099 9168	Rückflussverhinderer OF15/DN15	back flow preventer DN15
2	099 4130	Blindstopfen mit Dichtung	blind plug with O-ring
3	099 0154	Umsteller Kartusche 35 mm	diverter cartridge 35 mm
4	099 8018	Überwurfmutter / Kartuschebefestigung	union nut / cartridge fixing nut
5	099 4114	Chromhülse zu Umstellkartusche	chrome sleeve for diverter cartridge
6	099 9905	Griffaufnahme	handle unit
7	099 9059	Thermostat (Typ V)	thermostatic cartridge (typ V)
8	099 4102	Chromhülse zu THM-Kartusche	chrome sleeve for thermostatic cartridge
9	099 2736	Anschlags-Ring für Thermostat	stop ring for thermostat
10		Schallschutzmatte zu UP-Körper 010 4140	acoustic insulation mat
-	099 0026	Kerdi -Dichtmanschette für UP-Körper	Kerdi - waterproof membrane for concealed body
			010 4140
			26. 02. 2019
			STEINBERG