



F74CS/FN74CS (DN40, DN50)

Reverse rinsing fine filter

APPLICATION

The reverse rinsing filters ensure a continuous supply of filtered water. The fine filter prevents the ingress of foreign bodies, for example rust particles, strands of hemp and grains of sand and thus reduces the probability of corrosion. The fine filters are used in systems where an existing pressure reducing valve is fitted or where one is not required. Both horizontal and vertical installation is possible.

APPROVALS

- DVGW approval for all filters with 100 µm mesh sizes and with rotatable connection piece

SPECIAL FEATURES

- Filtered water supplied even during reverse rinsing
- Patented reverse rinsing system - fast and thorough cleaning of the filter with small amount of water
- Memory ring indicates when next manual reverse rinsing is due
- Automatic reverse rinsing actuator with bayonet connector can be retrofitted
- Large filter surface
- Shock resistant clear synthetic material filter bowl enables easy checking of filter contamination
- Filter insert fully replaceable
- ACS certified
- All materials are KTW approved
- All materials are UBA conform
- Approved by TÜV LGA for low noise, Group 1 without limitations



TECHNICAL DATA

Media	
Medium:	Drinking water
Connections/Sizes	
Connection sizes:	1½" - 2" (with rotatable connector piece)
Pressure values	
Operating pressure range:	1.5 - 16.0 bar
Max. inlet pressure:	16 bar (up to 12.0 bar long-term*)
Operating temperatures	
Operating temperature range medium:	5 - 30 °C
Specifications	
Installation position:	Horizontal or vertical, with filter bowl downwards

* For maintaining the measuring accuracy of the manometer, a continuous maximum pressure load of 12.0 bar is permitted.

Note: The filter is constructed for drinking water installations. In case of a process water application the filter has to be proven individually.

CONSTRUCTION

Overview	Components	Materials
	1 Housing with pressure gauge	Lead-free brass
	2 Rotatable connector piece, flange sealings, connecting nuts and fittings (F74CS only)	Lead-free brass (rotatable connection piece, tail pieces), dezincification-resistant brass (connection nuts), unitec 300 (flange sealing)
	3 Clear filter bowl	Shock-resistant, clear transparent synthetic material
	4 Fine filter	Stainless steel
	5 Ball valve with drain connection	Lead-free brass (Ball Valve body), Lead-free material (ball), Plastic-durethan (drain adapter)
Not depicted components:		
	Memory ring	Plastic
	Allen key WS8	Metal
	Wrench for filter bowl	Plastic
	Covers and reverse rinsing handle	Plastic
	Sealing washers	EPDM

METHOD OF OPERATION

The filter insert comprises an upper part and a lower combination section.

When in the „filtering“ position, the small upper filter is closed so that the water can only pass through the main filter from outside to inside.

When the ball valve is opened for reverse rinsing, the filter insert is pushed downwards until the water supply to the outer side of the main filter is stopped. Simultaneously, the water flow is opened to the upper part of the filter.

The water needed for cleaning the filter passes through the upper sieve, the rotating impeller and the main filter from inside to outside.

By this means, the filter is fully cleaned over its whole surface area at the full inlet pressure.

The filter automatically switches over to the operating position when the ball valve is closed again.

TRANSPORTATION AND STORAGE

Keep parts in their original packaging and unpack them shortly before use.

The following parameters apply during transportation and storage:

Parameter	Value
Environment:	clean, dry and dust free
Min. ambient temperature:	5 °C
Max. ambient temperature:	55 °C
Min. ambient relative humidity:	25 % *
Max. ambient relative humidity:	85 % *

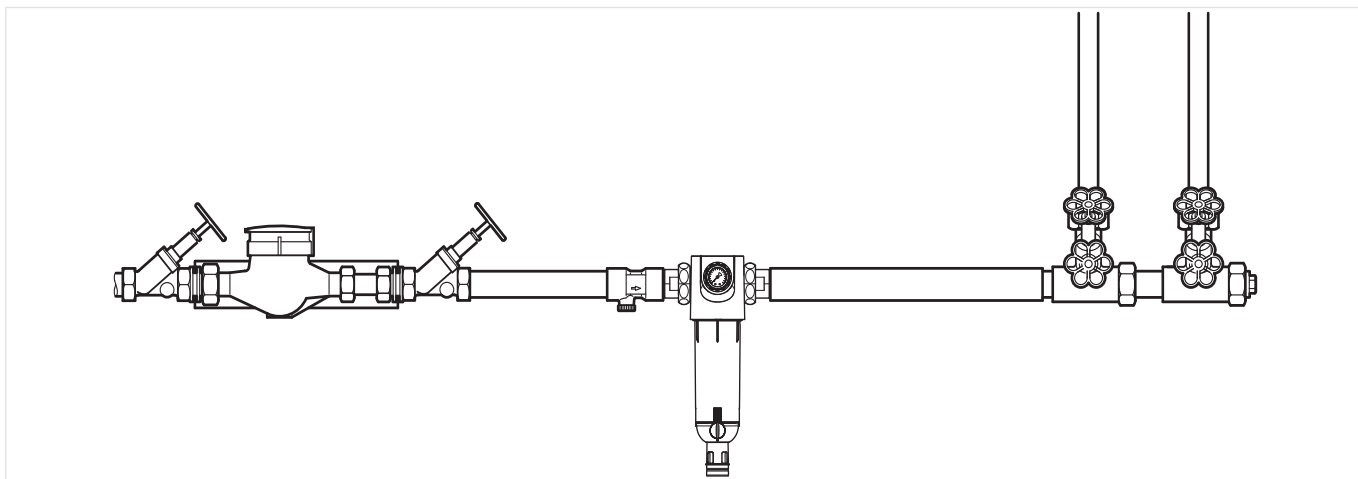
*non condensing

INSTALLATION GUIDELINES

Setup requirements

- The installation site has to be frost-proof and the protection of the device from chemicals, paints, detergents, solvents and their vapours and environmental influences must be guaranteed
- Install in horizontal or vertical pipework with filter bowl downwards
 - This position ensures optimum filter efficiency
- Install shut-off valves
- These filters are armatures which need to be maintained regularly
- Ensure good access
 - Pressure gauge can be read off easily
 - Degree of contamination can be easily seen with clear filter bowl
 - Simplifies maintenance and inspection
- It is recommended that a straight section of pipework at least five times the nominal valve size is provided after the filter (according to DIN EN 806-2)
- Fit immediately after water meter
- Related to the EN 806-2 it is recommended to install the filter immediately after the water meter
- In order to avoid flooding, it is recommended to arrange a permanent, professionally dimensioned wastewater connection

Installation Example

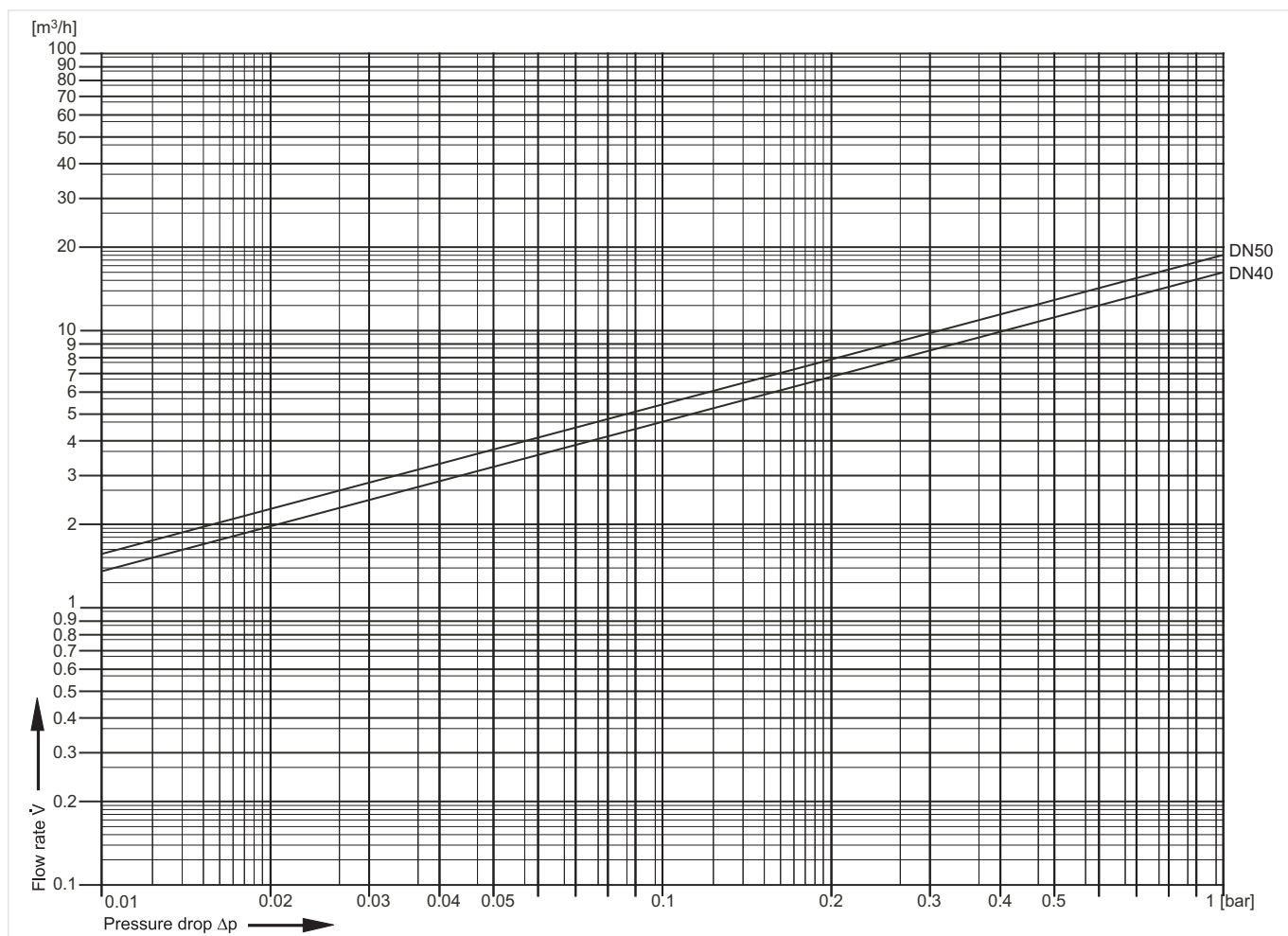


TECHNICAL CHARACTERISTICS

kvs-Values

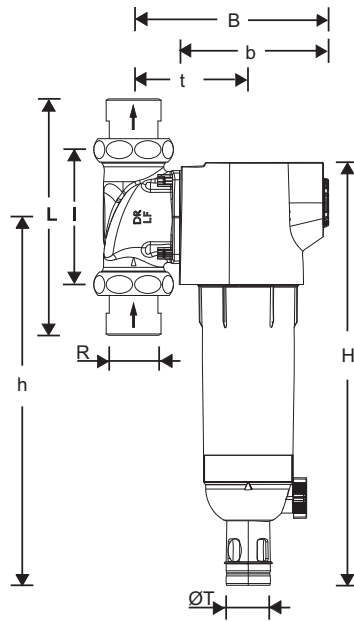
Connection sizes:	40	50
k _{VS} -value (m ³ /h):	16	20

Pressure drop characteristics



DIMENSIONS

Overview



Parameter	Values		
Connection sizes:	R	1 ^{1/2} "	2"
Nominal sizes:	DN	40	50
Weight:	kg	9.273	10.121
Dimensions:	H	478	478
	h	416	416
	L	246	267
	l	150	150
	B	216	216
	b	187	187
	t	130	130
	ØT	50	50
Flow value at Δp=0.2 bar:	m ³ /h	7.2	8.9
Flow value at Δp=0.5 bar:	m ³ /h	11.5	14.1
DVGW registration number:	on request		

Note: All dimensions in mm unless stated otherwise.

ORDERING INFORMATION

The following tables contain all the information you need to make an order of an item of your choice. When ordering, please always state the type, the ordering or the part number.

Options

The filter is available in the following sizes: 1^{1/2}" and 2".

- standard
- not available





without pressure reducing valve

		F74CS-...LFAA	FN74CS-2LFA
Connection type:	With rotatable connector piece, filter mesh size 95/110 µm, lead-free materials	•	-
	Retrofit version without rotatable connector piece, filter mesh size 95/110 µm, lead-free materials	-	•

Note: ... = space holder for connection size

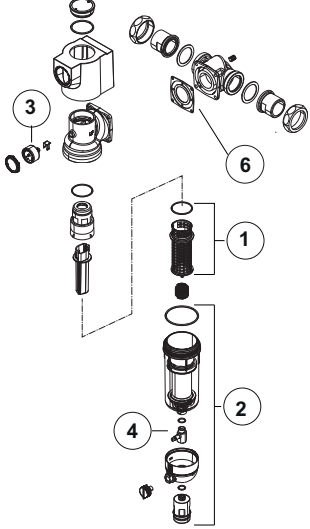
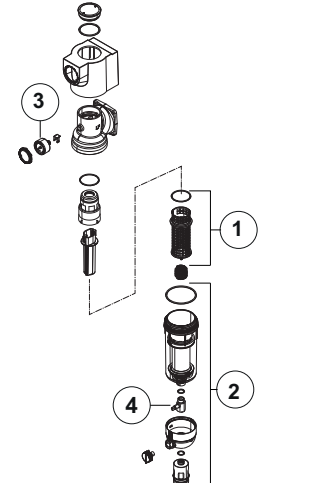
Note: Ordering number example for 2" and type LFAA valve: F74CS-2LFAA

Accessories

	Description	Dimension	Part No.
	DA74CS Rotatable connector piece For connection of retrofit filters and filter combinations		
		1 1/2"	DA74CS-11/2LFA
		2"	DA74CS-2LFA
	ZR10K Double ring wrench for removing the filter bowl		
			ZR10K-11/2
	VST Lead-free connection set Threaded connections		
		1 1/2"	VST74CS-11/2LFA
		2"	VST06-2LFA
	Z11S Automatic reverse rinsing actuator For automatic filter cleaning at presettable intervals		
	230 V, 50/60 Hz, 10 with moulded Schuko electrical plug		Z11S-A
	24 V, 50/60 Hz, 10 without electrical plug		Z11S-B
	230 V, 50/60 Hz, 10 with moulded Type 12 electrical plug for Switzerland		Z11S-Z

Spare Parts

F74CS/FN74CS Fine filters from 2018 onwards

Overview	Description	Dimension	Part No.
	1 Filter insert complete		
	100µm		AF11S-11/2A
	20 µm		AF11S-11/2B
	50 µm		AF11S-11/2C
	200 µm		AF11S-11/2D
	2 Complete clear filter bowl		KF11SB-2A
	3 Pressure gauge rear connection thread G¹/₄"	0 - 16 bar	M74CS-A16
	4 Ball valve complete		KH11S-1LFA
	5 Double ring wrench for removing the filter bowl (no fig.)		ZR10K-11/2
	6 Flange seal		5975901

For more information

homecomfort.resideo.com/europe



Ademco 1 GmbH
 Hardhofweg 40
 74821 MOSBACH
 GERMANY
 Phone: +49 6261 810
 Fax: +49 6261 81309

Manufactured for and on behalf of the
 Pittway Sàrl, La Pièce 4, 1180 Rolle, Switzerland
 by its Authorised Representative Ademco 1 GmbH
 EN0H-1186GE23 R1019

Subject to change

© 2019 Pittway Sàrl. All rights reserved.
 This document contains proprietary information of
 Pittway Sàrl and its affiliated companies and is
 protected by copyright and other international laws.
 Reproduction or improper use without specific
 written authorisation of Pittway Sàrl is strictly
 forbidden. The Honeywell Home trademark is used
 under license from Honeywell International Inc.

