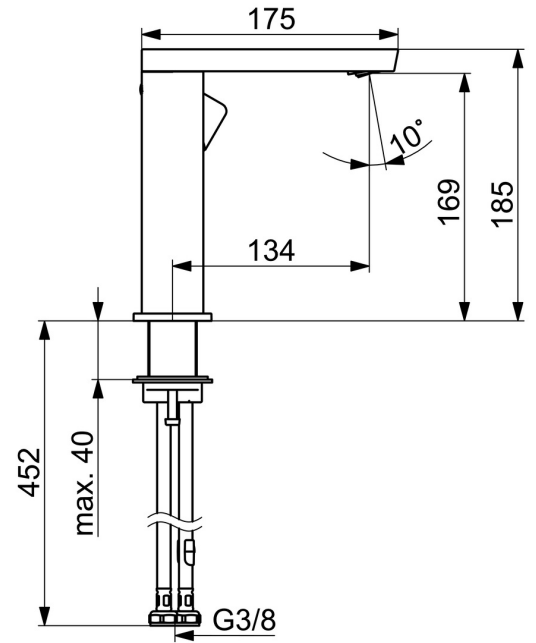
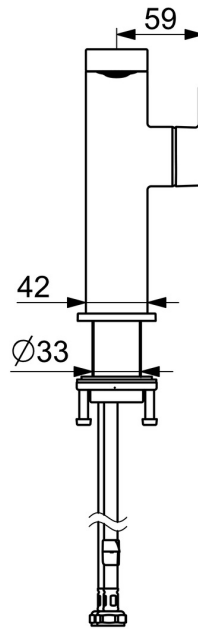
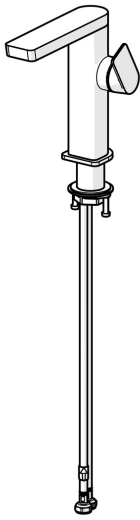


EAN: 4057304015229
static.hansa.com/57142273



- Washbasin
- Single-lever, side operated
- Deck mounted
- Chrome
- Swivel spout
- PCA® - constant flow rate regardless of pressure variations, Adjustable flow angle
- Single operating lever/handle, Hot/Cold symbols
- ø 25 mm ceramic cartridge for flow and temperature control
- Flexible inlet pipes
- Inner body made of DZR brass
- Without pop-up waste
- Swivel spout with detent in middle position



Technical data

Flow properties

Flow-rate at 3 bar (with flow controller) **4.8 l/min**

Technical properties

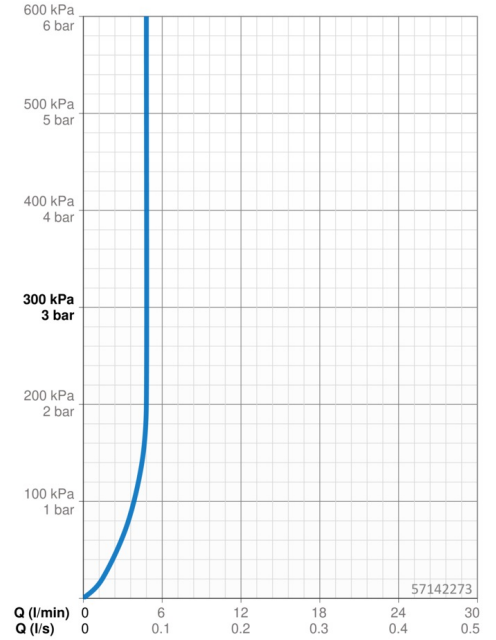
Hot water supply **max. +70°C**
 Working pressure **0.5-10 bar**
 Connection size **G3/8**
 Projection **134 mm**
 Backflow prevention (EN1717) **AA**
 Material **Brass**

Regulations

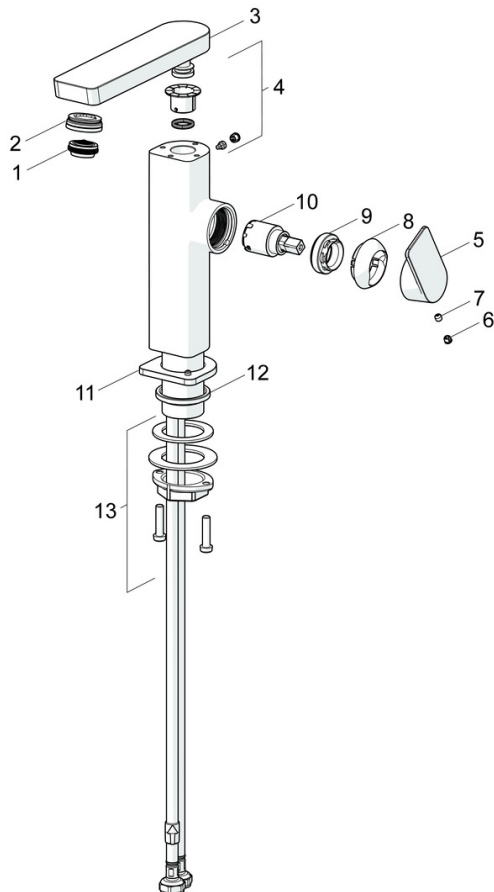
EN standard **EN 817**
 Noise class **I (ISO 3822)**

Approvals and Declarations

ABP **PA-IX 38026/10**



Spare parts



SP57142273

	Name	Code
01	Aerator, M24x1 HC SSR-STD	59914015
02	Fitting ring for aerator, M24x1, SW17, (2019-)	59914744
03	Spout, L=154	1006400V
04	Sealing kit	59911884
05	Lever	1000776V
06	Cover plug	59913762
07	Screw, M5x8, SW2.5	59904755
08	Covering cap	59914638
09	Tightening nut, M32x1, SW24	59913958
10	Cartridge, 2.5	59913914
11	Cover flange	1006394V
12	Bottom seal	59914650
13	Fixing set	59913371