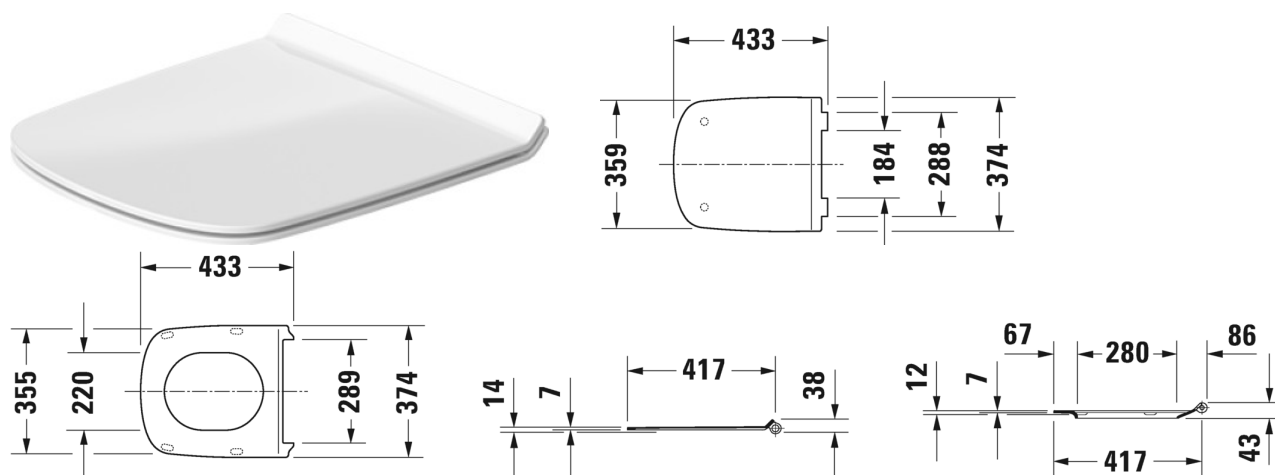


DuraStyle Toilet seat and cover # 0063790000



Toilet seat and cover	Dimension	Weight	Order number
hinges stainless steel, removable, with soft closure			
Colors			
00 White Alpin			
Variant			
		2.700 kilogram	0063790000
Suitable products			
Toilet wall mounted Duravit Rimless® rimless, washdown model, UWL class 1, 370 x 540 mm	370 x 540 mm		253809
Toilet floor standing back to wall, for independent water supply, fixings included, washdown model, horizontal outlet, UWL class 1, 370 x 570 mm	370 x 570 mm		215009
Toilet close-coupled (without cistern), washdown model, Outlet for Vario connector set, for horizontal and vertical outlet, length adjustable from 70 - 170 mm, and vario connecting bend, vertical outlet from 160 - 220 mm, fixings included, UWL class 1, 370 x 630 mm	370 x 630 mm		215509
Toilet wall mounted washdown model, UWL class 1, 370 x 540 mm	370 x 540 mm		253609
Toilet wall mounted Compact washdown model, UWL class 1, 370 x 480 mm	370 x 480 mm		253909
Toilet wall mounted Compact Duravit Rimless® rimless, washdown model, UWL class 1, 370 x 480 mm	370 x 480 mm		257109
Toilet wall mounted Duravit Rimless® rimless, washdown model, Durafix included, UWL class 1, 370 x 540 mm	370 x 540 mm		255109

DuraStyle Toilet seat and cover # 0063790000

Toilet wall mounted washdown model, Durafix included, UWL class 1, 370 x 540 mm	370 x 540 mm	255209
Toilet close-coupled washdown model, (without cistern), fixings included, horizontal outlet, UWL class 1, 370 x 630 mm	370 x 630 mm	216209

All drawings contain the necessary measurements which are subject to standard tolerances. They are stated in mm and are non-binding. Exact measurements, in particular for customised installation scenarios, can only be taken from the finished piece.