

Base Pan Heater Installation Manual

Required tools for Installation Works

- 1 Philips screw driver
- 2 Glove
- 3 Cutter
- 4 Plier
- 5 Multimeter

SAFETY PRECAUTIONS

- Read the following "SAFETY PRECAUTIONS" carefully before installation.
- Electrical work must be installed by a licensed electrician.
- The caution items stated here must be followed because these important contents are related to safety. The meaning of each indication used is as below. Incorrect installation due to ignoring of the instruction will cause harm or damage, and the seriousness is classified by the following indications.

	This indication shows the possibility of causing death or serious injury.
	This indication shows the possibility of causing injury or damage to properties only.

The items to be followed are classified by the symbols:

	Symbol with white background denotes item that is PROHIBITED from doing.
	Symbol with dark background denotes item that must be carried out.

- Carry out test run to confirm that no abnormality occurs after the installation. Then, explain to user the operation, care and maintenance as stated in instructions. Please remind the customer to keep the operating instructions for future reference.

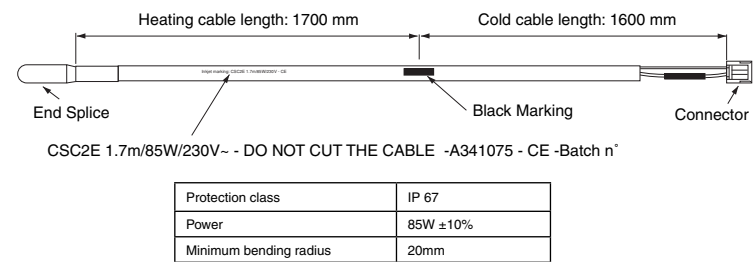
WARNING

- 1) Be sure to disconnect all power supply before install and connect the Base Pan Heater. Otherwise, it will cause the electrical shock.
- 2) Engage authorized dealer or specialist for installation. If installation done is defective, it will cause electrical shock or fire.
- 3) Install according to this installation instructions strictly. If installation done is defective, it will cause electrical shock or fire.
- 4) Use the attached accessories parts and specified parts for installation. Otherwise, it will cause fire or electrical shock.
- 5) For electrical work, follow the local national wiring standard, regulation and this installation instruction. Otherwise, it will cause the electrical shock or fire.
- 6) Heater routing must be properly arrange so that the set can be fixed properly. Or else it will damage by the propeller fan etc. that may damage the set.
- 7) Do not modify the length of the Base Pan Heater lead wires. Otherwise, it will cause abnormal operations, fire or electrical shocks.
- 8) Use glove and proper tools when doing installation job to prevent cutting by metal part or any sharp edges part.
- 9) Do not touch to the heating cable when the Base Pan Heater is on. It will cause injured due to high temperature at heating cable's surface.

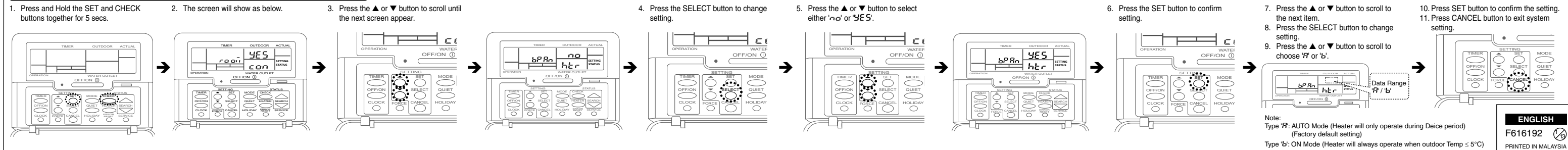
Attached Accessory

No.	Accessory Part	Qty.	No.	Accessory Part	Qty.
1	Base Pan Heater	1	3	Cable Tie	2
2	Band	8			

Base Pan Heater Specification



Step 4: Activate the Base Pan Heater Control using control panel/remote controller



Before installing the Base Pan Heater, steps below need to be carried out to remove the exterior chassis.

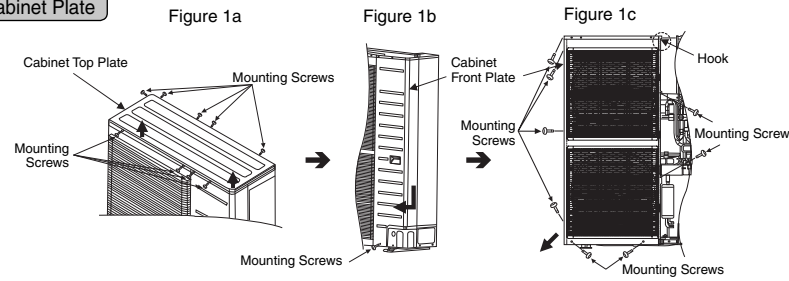


Be sure to switch off all power supply (i.e. indoor power supply, heater power supply, Tank Unit power supply) before performing the steps below to avoid electrical shocks, etc.

How to Install Base Pan Heater to Bi-bloc Unit (Double Fan WH-U\* Models)

Step 1: Removal of the Outdoor Unit Cabinet Plate

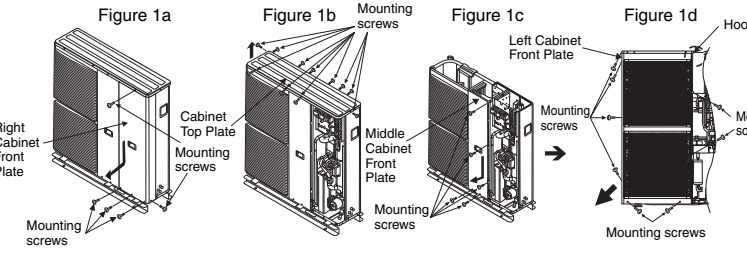
1. Locate and remove 9 mounting screws on the cabinet top plate then remove the plate. Refer to Figure 1a.
2. Locate and remove the screws on the bottom of cabinet front plate then slide down and pull to remove the plate. Refer to Figure 1b.
3. Locate and remove 8 screws on the cabinet front plate then unhook it and pull to remove the plate. Refer to Figure 1c.



How to Install Base Pan Heater to Mono bloc Unit (Double Fan WH-M\* Models)

Step 1: Removal of the Cabinet Plate

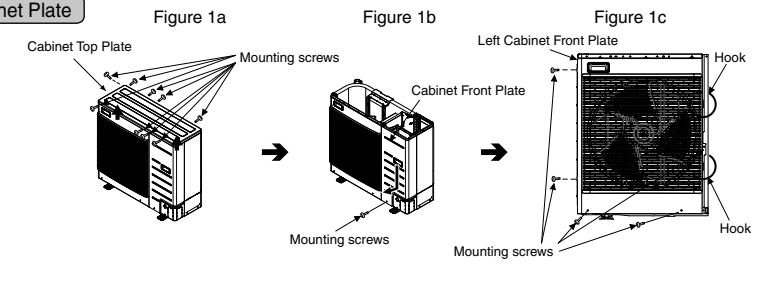
1. Locate and remove the 5 mounting screws, slide down the cabinet and pull toward front to remove the right Cabinet Front Plate. Refer Figure 1a.
2. Locate and remove the 11 mounting screws, Lift up the Cabinet Top Plate to remove it from fixing. Refer Figure 1b.
3. Locate and remove the 5 mounting screws, slide downward and pull toward front to remove the middle Cabinet Front Plate. Refer Figure 1c.
4. Locate and remove 8 screws on the left Cabinet Front Plate then unhook it and pull to remove the plate. Refer to Figure 1d.



How to Install Base Pan Heater to Bi-bloc Unit (Single Fan WH-U\* Models)

Step 1: Removal of the Outdoor Unit Cabinet Plate

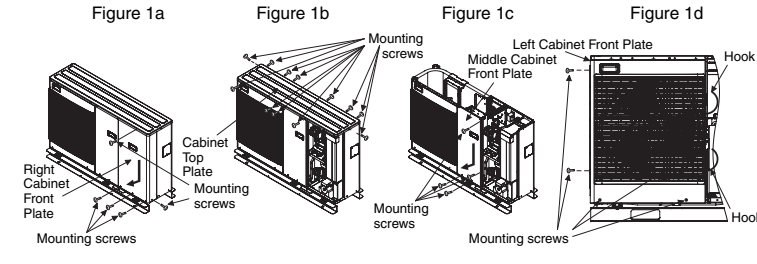
1. Locate and remove 9 mounting screws on the cabinet top plate then remove the plate. Refer to Figure 1a.
2. Locate and remove the screws on the bottom of cabinet front plate then slide down and pull to remove the plate. Refer to Figure 1b.
3. Locate and remove 5 screws on the cabinet front plate then unhook it and pull to remove the plate. Refer to Figure 1c.



How to Install Base Pan Heater to Mono bloc Unit (Single Fan WH-M\* Models)

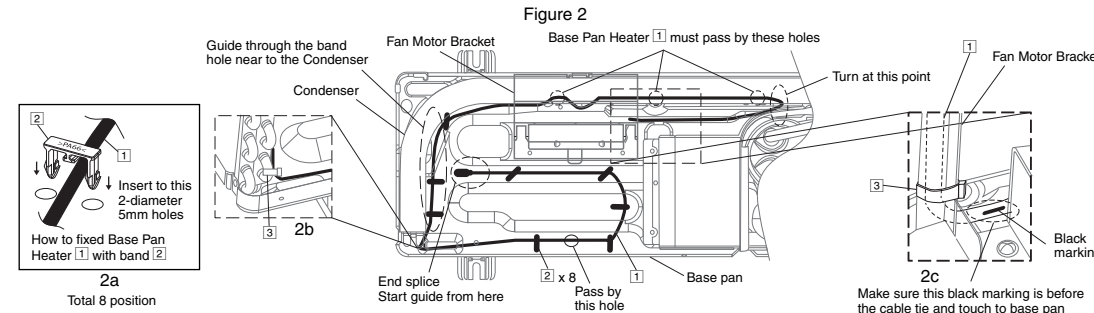
Step 1: Removal of the Cabinet Plate

1. Locate and remove the 5 mounting screws, slide down the cabinet and pull toward front to remove the right Cabinet Front Plate. Refer Figure 1a.
2. Locate and remove the 11 mounting screws, Lift up the Cabinet Top Plate to remove it from fixing. Refer Figure 1b.
3. Locate and remove the 4 mounting screws, slide downward and pull toward front to remove the middle Cabinet Front Plate. Refer Figure 1c.
4. Locate and remove 5 screws on the left Cabinet Front Plate then unhook it and pull to remove the plate. Refer to Figure 1d.



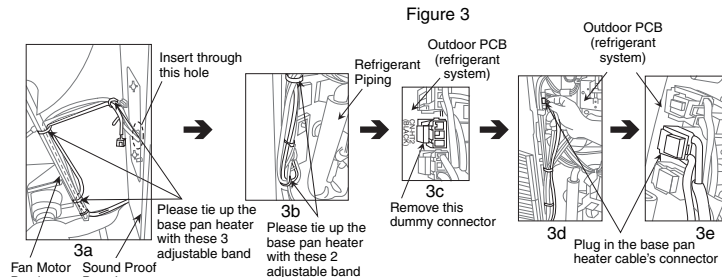
Step 2: Installation Work: Guide Base Pan Heater (for heating cable side)

1. Identify the heating cable side from end splice to the black marking. (refer to the base pan heater specification)
  2. Begin guiding the heating cable from end splice. Fix the heating cable with 1st, 2nd, 3rd, 4th and 5th band (refer to Figure 2a).
  3. Use cable tie (3) to tie the heater with the bottom tube of condenser (refer Figure 2b) and fix the heater with 6th, 7th and 8th band. Make sure the heater is as near as possible to the condenser side.
  4. Continue guide the heater follow the routing, insert the heater below the condenser where possible and make sure the heater is between the condenser and water discharge hole.
  5. When the heater reaches the end, turn back to the opposite direction toward the fan motor bracket and tie the cable with the cable tie (3) provided after the black marking on the cable. Refer Figure 2c.
- \*Note: - All heating cable should touch to the base pan.  
- It is not encourage to remove the Propeller Fan during installation of the base pan heater.



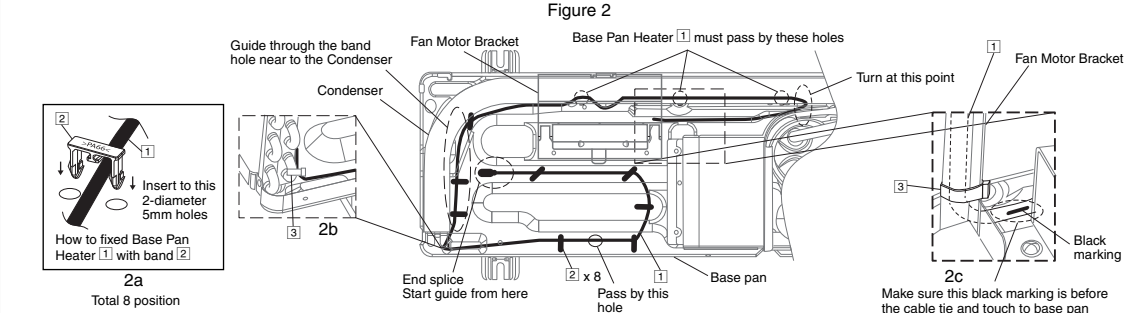
Step 3: Installation Work: Guide Base Pan Heater (cold cable side)

1. Locate the 3 adjustable cable tie (refer to Figure 3a). Untie them by follow the step below:
2. Tie the cold cable at these 3 position with the existing cable (refer Figure 3a). Make sure no dangling cables after tying the cables. Any dangling cable will cause fan's blade to cut the cable.
3. Insert the cold cable through a hole on the sound proof board. (Follow fan motor's cable routing)
4. Upon insertion, tie the cable to the another 2 adjustable cable ties. Refer to Figure 3b.
5. On the Outdoor PCB (refrigerant system), locate CN-HT2 (BLACK). Unplug the dummy connector, then replace with base pan heater cable's connector. Refer to Figure 3c, 3d and 3e.



Step 2: Installation Work: Guide Base Pan Heater (for heating cable side)

1. Identify the heating cable side from end splice to the black marking. (refer to the base pan heater specification)
  2. Begin guiding the heating cable from end splice. Fix the heating cable with 1st, 2nd, 3rd, 4th and 5th band (refer to Figure 2a).
  3. Use cable tie (3) to tie the heater with the bottom tube of condenser (refer Figure 2b) and fix the heater with 6th, 7th and 8th band. Make sure the heater is as near as possible to the condenser side.
  4. Continue guide the heater follow the routing, insert the heater below the condenser where possible and make sure the heater is between the condenser and water discharge hole.
  5. When the heater reaches the end, turn back to the opposite direction toward the fan motor bracket and tie the cable with the cable tie (3) provided after the black marking on the cable. Refer Figure 2c.
- \*Note: - All heating cable should touch to the base pan.  
- It is not encourage to remove the Propeller Fan during installation of the base pan heater.



Step 3: Installation Work: Guide Base Pan Heater (cold cable side)

1. Locate the 2 adjustable cable tie (refer to Figure 3a). Untie them by follow the step below:
2. Tie the cold cable at these 2 position with the existing cable (refer Figure 3a). Make sure no dangling cables after tying the cables. Any dangling cable will cause fan's blade to cut the cable.
3. Guide the cold cable through the second band on the control board.
4. Guide the cold cable through the twisted band. (Refer to Figure 3b)
5. On the Outdoor PCB (refrigerant system), locate CN-HT2 (BLACK). Unplug the dummy connector, then replace with base pan heater cable's connector. Refer to Figure 3c, 3d and 3e.

